



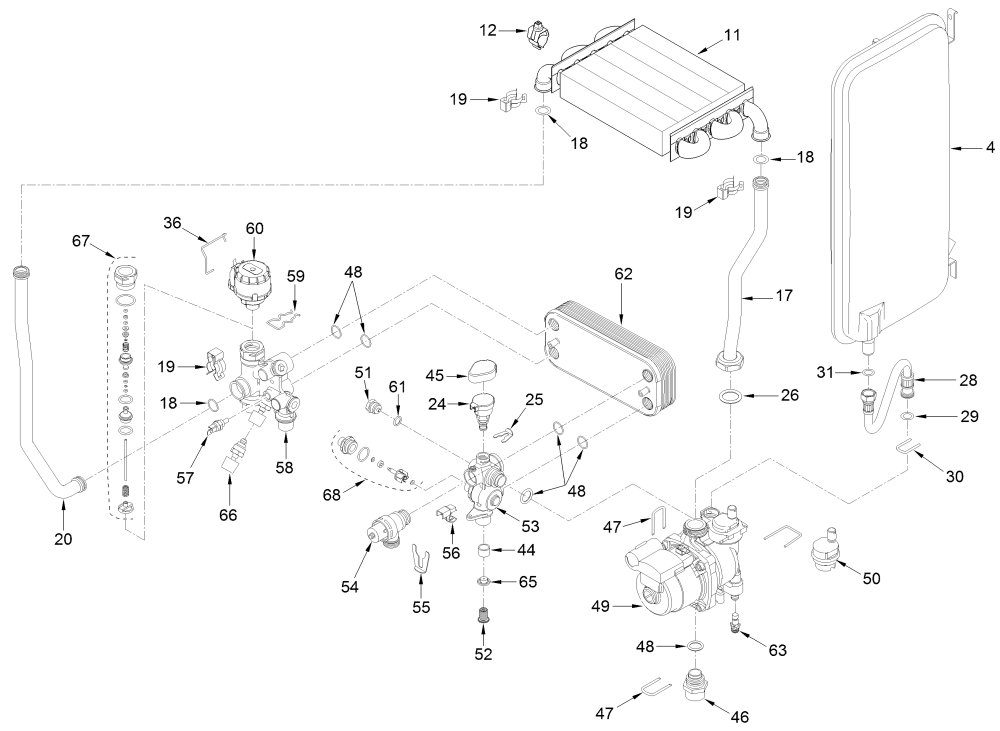
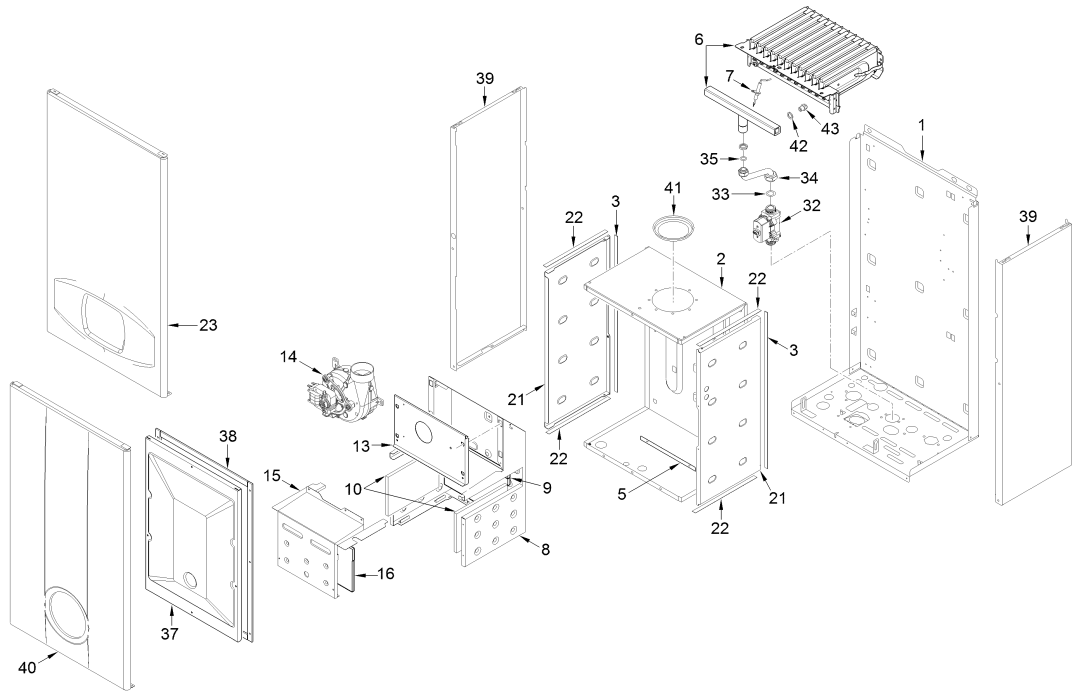
Fonderie Sime S.p.A. - Via Garbo, 27 - 37045 Legnago (VR) - [www.sime.it](http://www.sime.it)  
Tribunale Verona 13531 - R.E.A. VR 171357 - C.C.P. 19423375 - N° Mecc. VR 014435  
Capitale Sociale Euro 5.521.200 int. versato - Codice Fiscale/Partita IVA n. IT 01275930236

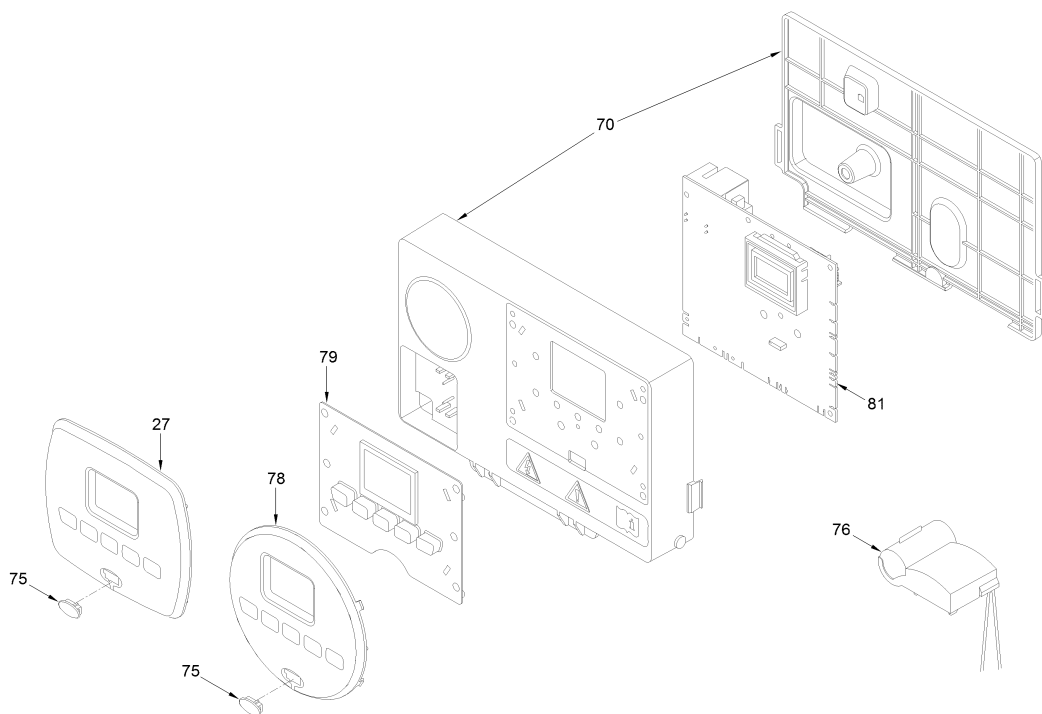
Comfort Ambiente - Via Garbo, 27 - 37045 Legnago (VR)

Tel +39 0442 631111 - Fax Servizio Commerciale: Italia +39 0442 631291 - Estero +39 0442 631293

Fax Servizio Tecnico +39 0442 631292 - Fax Ufficio Acquisti +39 0442 631292 - Fax Amministrazione +39 0442 631336

8112500 CALD.MET. BRAVA SLIM 25 BF





Posiz.	Codice	Descrizione
001	6264560	Boiler fixing bracket
002	6317601	Sealed chamber rear panel
003	6229838	Gasket for sealed chamber
004	5183728	Rectang. expansion vessel 8 l.
005	6257531	Air deflector
006	5198210	Main burner assembly
007	6235935	Ignition-ionisation electrode
008	6318520	Smoke chamber assembly
009	6318740	Combustion chamber rear insulat
010	6318710	Combustion chamber side insulat
011	6174275	Gas/Water heat exchanger
012	6231362	NTC sensor
013	6318600	Sealed chamber front panel
014	6225643	Fan
015	6317900	Combustion chamber front panel
016	6318730	Combustion chamber side insulat
017	6264863	C.H. return pipe
018	6226412	O-ring 3068
019	6226601	Spring for heat exchanger conne
020	6227458	Flowing pipe to C.H. system
021	6288210	Sealed chamber side panel
022	6229837	Gasket for sealed chamber
024	6273608	Water pressure transducer
025	6226639	Spring clip
026	2030267	Piracriten gasket Ø 30x17x2
028	6017405	Flexible pipe M.F. 3/8" L=300
029	6226476	ORing diam.15x2
030	6226643	Pipe fixing spring
031	2030226	Gasket Ø 10,2x14,8x2
032	6243838	Gas valve
033	2030249	Gasket Ø 24x17x3
034	6195216	Gas inlet pipe
035	2030255	Gasket Ø 12,5x18,5x3
036	6226638	Divertor valve motor spring cli
037	6317700	Sealed chamber front panel
038	5192208	Gasket for sealed chamber
039	6304480	casing left/right side panel
040	6325010	Casing front panel
041	6028621	Air diaphragm Ø 79
042	6022004	Copper washer Ø 6
043	6154402	Main burner nozzle NP 130 natur
045	6319650	Bitron transducer cap
046	6120560	Pump nipple 3/4"
047	6226644	Spring clip for rotating connec
048	6226475	ORing diam.18,64x3,53
049	6272340	Circulating pump

MET

050	6013182	Automatic air vent
051	6147401	Plug 1/4"
052	6222003	D.H.W. filter
053	6265830	C.H. return manifold
054	6040225	Pressure relief valve 1/2" 3 ba
055	6226645	Spring clip
056	6131440	Flowmeter sensor
057	6231351	Plunged sensor
058	6265870	C.H. flow manifold
059	6226636	D.H.W. elektrovalve fix.spring
060	6087332	Motor for diverting valve
061	2030225	Gasket Ø 5,5x11x2
062	6265656	12 plate-type heat exchanger
066	6319639	Filling cock
067	6319645	Three-way plates group
068	6319644	Flowmeter group
070	6304720	Control panel
075	6305140	Rubber cap
076	6323879	4 pole connec.CN13 pump + fan
078	6304831	Interface panel
079	6305131	Rubber button
081	6324900	Main P.C.B.
701	5144716	Conversion kit to LPG
702	6281534	Gaskets kit
703	6319695	Murelle-Format-.....o-ring kit
704	5202310	Complete control panel
705	6323875	6 pole cable connector CN12
706	6323876	4 pole cable connector CN14
707	6323878	9 pole cable connector CN1
709	6323877	14 pole cable connector CN15+CN
717	6319700	Springs / clamps kit DIN